

Luxline 2160 LED Surgical Light

Ref: M1C 500 0 0



Technical Details

Mounting type: Ceiling

Light source: LED

Luminous power (1m distance): 160.000 lux

Light intensity: Adjustable in 10 levels by membrane control panel and adjustable 5 levels by touchless infrared sensor

LED life time: 50.000 h

Number of Led: 84 (except endo mode leds)

The optical design that helpful for shadowless lighting:

The optical design, which provides lighting in the desired area by using 84 different LED light sources spread over the lamp head surface, helps shadowless lighting.

Endo mode: 4 each green leds

Light head diameter: 710 mm

Light head hanging arm: Rotates 360°

Light head joint arm: Rotates 260°

Light head: Rotates 270°

Horizontal rotary arms: Rotate 360°, 725/875 mm length

Spring arms: 910 mm length, rotate 360°, 50° downward, 45° upward, 1180 mm action distance

Light field diameter (1m distance): 180 - 250 mm

Illuminance field diameter L1+L2 (20%): 1200 mm

Color rendering index (CRI) Ra: ≥95 (4000K)

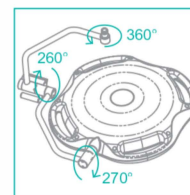
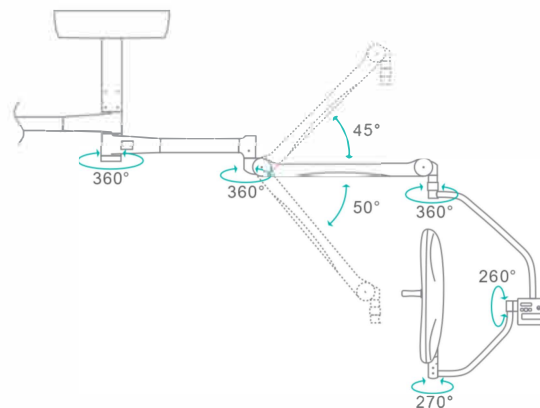
Color rendering index (CRI) R9: ≥90 ± %5 (4000K)

Color temperature: 4000K ±250, 4500K ±250, 5000K ±250

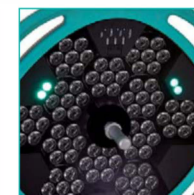
Power supply * : 220-240 V, 50/60 Hz

Power consumption: 70 W

Linear air flow (Laminar flow): It is designed in an ergonomic structure which minimizes turbulence and is fully compatible with the linear air flow system



Rotating angles



Endo mode



Membrane control panel



Adjustable light intensity with touchless infrared sensor

* 110 Volt option