

Luxline 1160 LED Surgical Light

Ref: M1B 500 0 0



Technical Details

Mounting type: Ceiling

Light source: LED

Luminous power (1m distance): 160.000 lux

Light intensity: Adjustable in 10 levels by membrane control panel and adjustable 5 levels by touchless infrared sensor

LED life time: 50.000 h

Number of Led: 84 (except endo mode leds)

The optical design that helpful for shadowless lighting:

The optical design, which provides lighting in the desired area by using 84 different LED light sources spread over the lamp head surface, helps shadowless lighting.

Endo mode: 4 each green leds

Light head diameter: 710 mm

Light head hanging arm: Rotates 360°

Light head joint arm: Rotates 260°

Light head: Rotates 270°

Horizontal rotary arm: Rotates 360°, 725 mm length

Spring arm: 910 mm length, rotates 360°, 50° downward, 45° upward, 1180 mm action distance

Light field diameter (1m distance): 180 - 250 mm

Illuminance field diameter L1+L2 (20%): 1200 mm

Color rendering index (CRI) Ra: ≥95 (4000K)

Color rendering index (CRI) R9: ≥90 ± %5 (4000K)

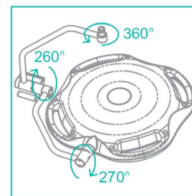
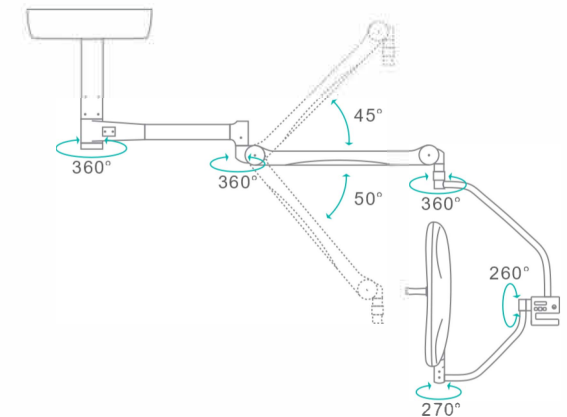
Color temperature: 4000K ±250, 4500K ±250, 5000K ±250

Power supply * : 220-240 V, 50/60 Hz

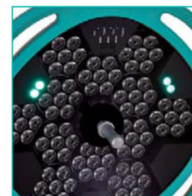
Power consumption: 70 W

Linear air flow (Laminar flow): It is designed in an ergonomic structure which minimizes turbulence and is fully compatible with the linear air flow system

* 110 Volt option



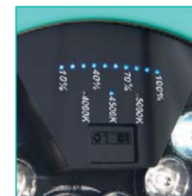
Rotating angles



Endo mode



Membrane control panel



Adjustable light intensity with touchless infrared sensor