

DYNAMIC  
**ARGOMED**

MOBILE C-ARM SYSTEM.



# DYNAMIC ARGOMED

MOBILE C-ARM SYSTEM

**Focus - flat panel distance:** 980mm  
for a wide orbital rotation of 135° (90° - 45°)

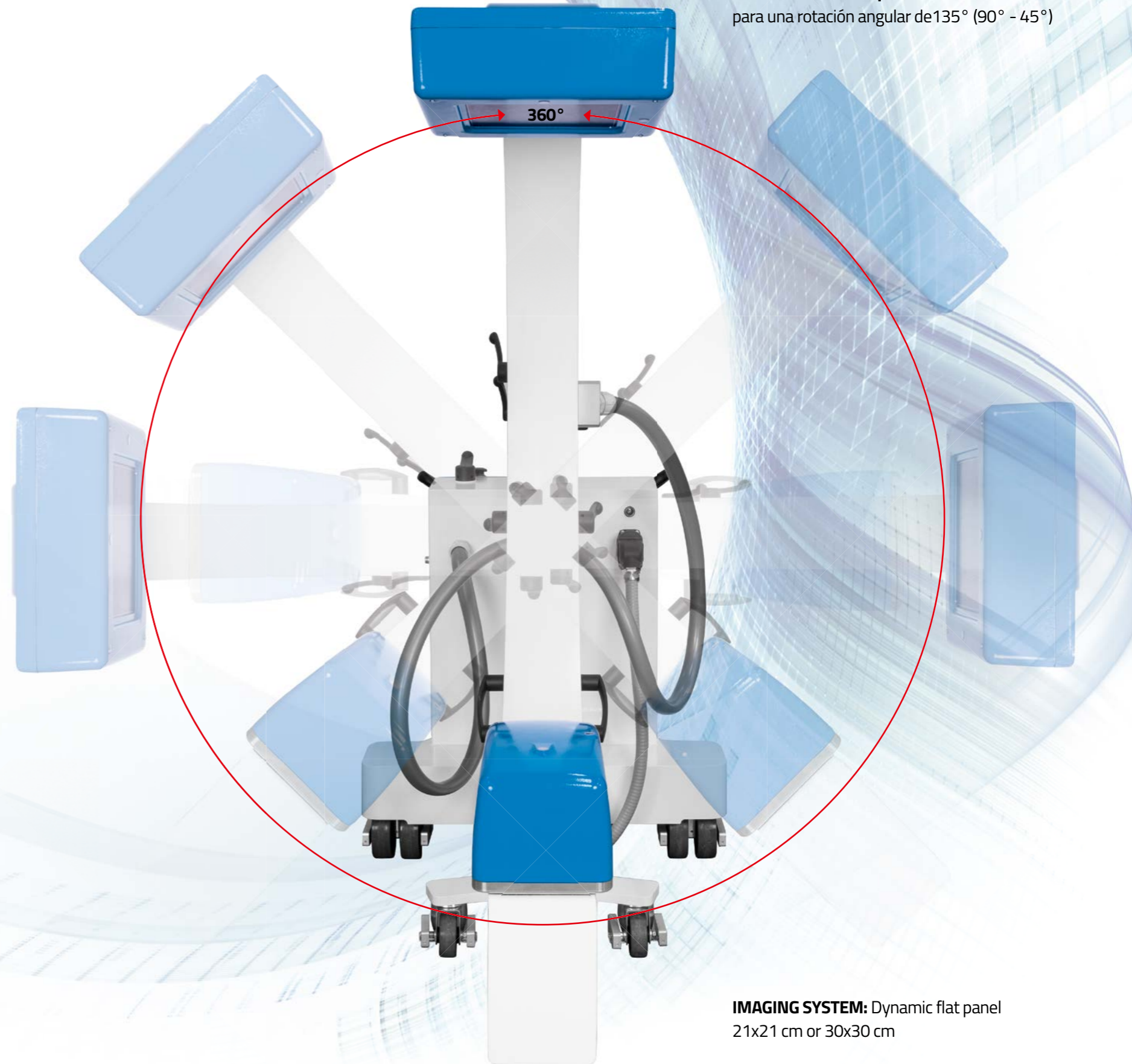
**Distancia focus-flat panel:** 980mm  
para una rotación angular de 135° (90° - 45°)

## Human C-arm Concept

Compact and easy to manage, this device extends the possibility of human diagnostic and interventional exams, according to the various range options:

*Compacto y fácil de manejar, este sistema amplía las posibilidades de exámenes diagnósticos e intervencionistas según las diversas opciones de uso:*

- ORTOPHEDICS / ORTOPEDÍA
- SURGERY / CIRUGÍA
- ANGIOGRAPHY / ANGIOGRAFÍA
- UROLOGY / UROLOGÍA
- CARDIOLOGY / CARDIOLOGÍA

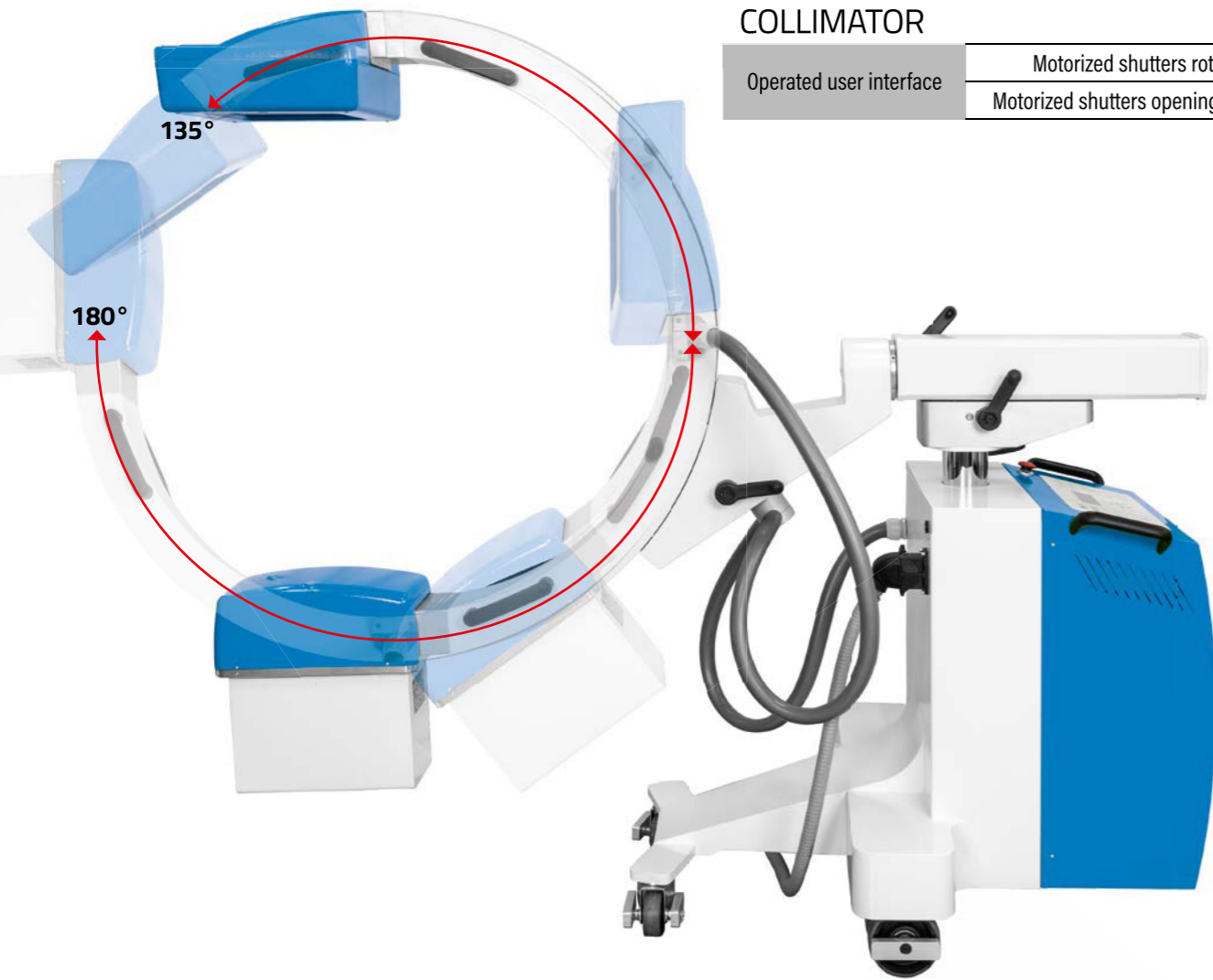


**IMAGING SYSTEM:** Dynamic flat panel  
21x21 cm or 30x30 cm

**SISTEMA DE IMAGEN:** Flat panel dinámico  
21x21 cm o 30x30 cm

## COLLIMATOR

Operated user interface	Motorized shutters rotation
	Motorized shutters opening / closing



## TECHNICAL FEATURES

	FIXED ANODE	ROTATING ANODE	ROTATING ANODE
max. power	4KW (100kV-40mA-100mS)	8KW (100kV-80mA-100mS)	16KW (100kV-160mA-100mS)
main voltage	115Vac±10%  230Vac±10%	115Vac±10%  230Vac±10%	115Vac±10%  230Vac±10%
fluoroscopy	8A 6A	8A 6A	10A 8A
radiography	32A 22A	32A 22A	32A 22A
frequency	40kHz	40kHz	40kHz
ripple	< 2% @ 100kV	< 2% @ 100kV	< 2% @ 100kV
line resistance	0,4 Ω	0,4 Ω	0,4 Ω

## RADIOLOGICAL FEATURES

	FIXED ANODE	ROTATING ANODE	ROTATING ANODE
monobloc type	MQD-4F	MQD-8R	MQD-15R
focal spot	0.5mm - 1.5mm	0.3mm - 0.6mm	0.3mm - 0.6mm
range kV	40 ÷ 110 kV (120 OPT)	40 ÷ 120 kV	40 ÷ 120 kV
continuous fluoroscopy	4mA	5mA	6mA
pulsed fluoroscopy	5mA	8mA	10mA
one shot fluoroscopy	10mA/100kV max	10mA/100kV max	10mA/100kV max
max mA CineRad 12 sec	/	200mA 20kW (10ms ON 990mS OFF)	250mA 25kW (10mS ON 990mS OFF)
total filtration	> 2.7mm Al	> 2.7mm Al	> 2.7mm Al
MQD thermal capacity	720 kJ	720 kJ	720 kJ
kV variation	steps 1kV	steps 1kV	steps 1kV
max mAs (radio)	320mAs	320mAs	320mAs
max mA pulsed booster	10mA	15mA	15mA

# DYNAMIC ARGOMED

COMPACT MOBILE C-ARM SYSTEM  
AVAILABLE WITH MONITOR / DISPONIBLE CON MONITOR

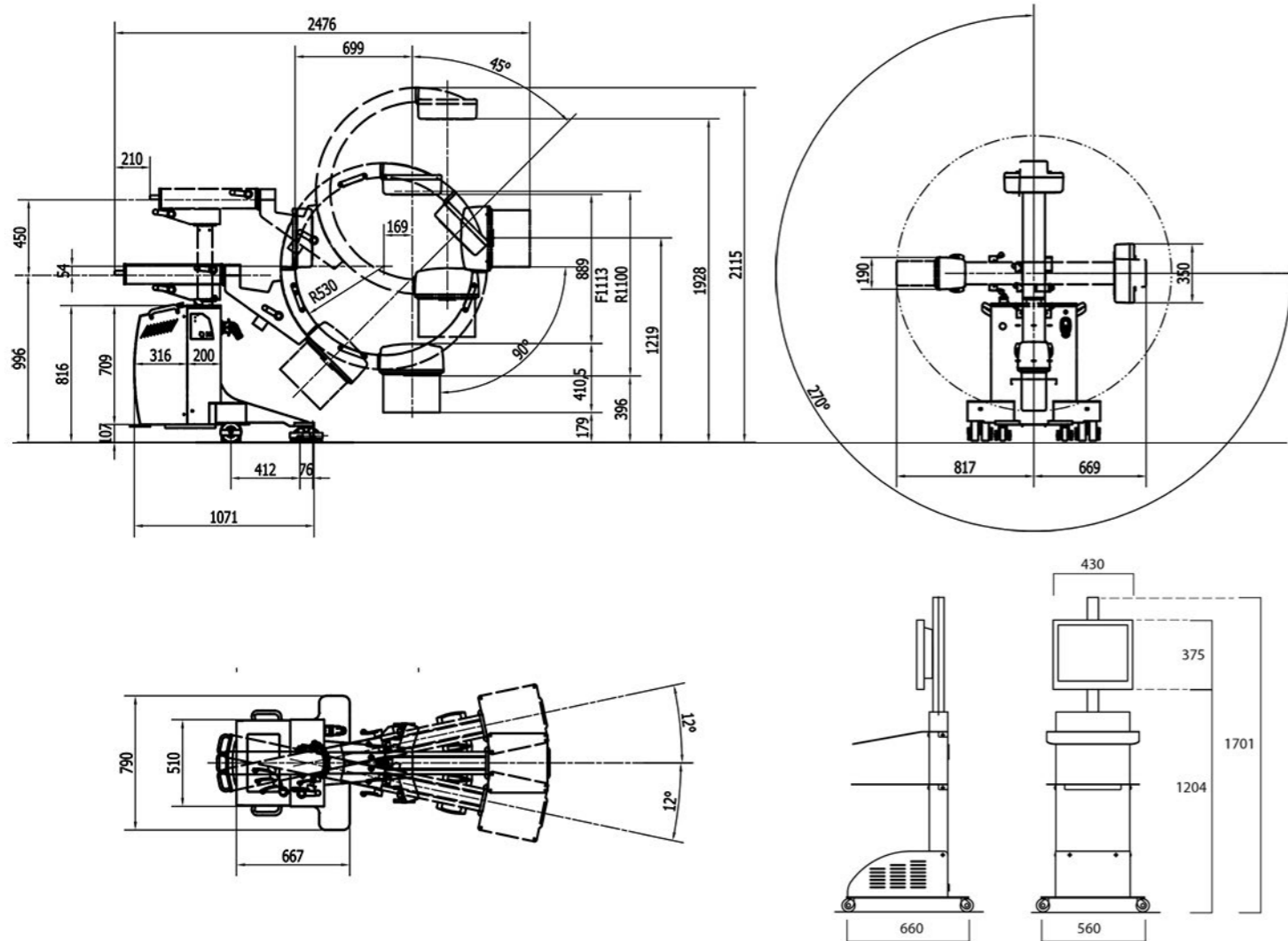


**Anti scatter grid for fluoroscopy:**  
RATIO 8:1 103L" FD 90cm

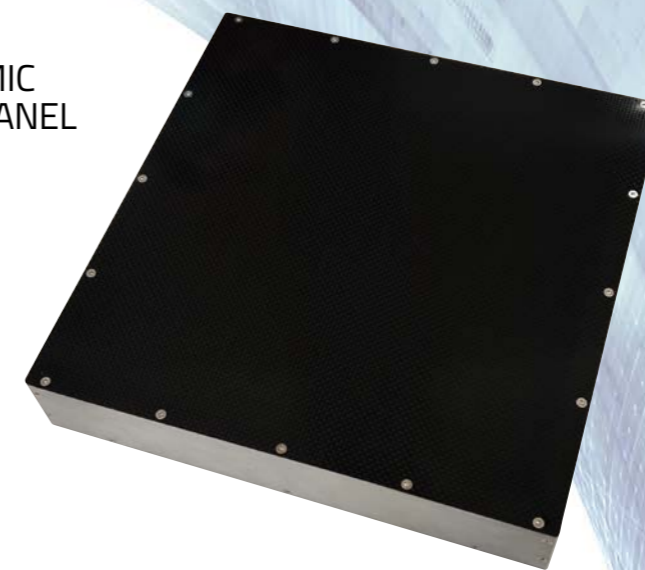
**Rejilla antidifusión para fluoroscopia:**  
PROPORCIÓN 8:1 103L" FD 90cm

**X-ray tube head**  
Power from 4 ÷ 16KW  
**Max. power:** 25KW (pulsed time)

**Monobloque**  
Potencia de 4 ÷ 16KW  
**Potencia max.** 25KW (pulsada)



## DYNAMIC FLAT PANEL



## SPECIFICATIONS



### Monobloc type Tube:

- Fixed and rotating anode
- Fixed anode: 4KW
- Rotating anode: 8-16KW



### High Resolution B/W 24" LCD Medical Grade Monitors



### Constant monitoring of the monobloc temperature with thermal safety and notice to the user



### Lower Dose

- Virtual collimator
- Pulse mode



### High Frequency Generator

- 40kHz



### Long time fluoroscopy low dose



### OPTIONAL Easy Archiving And Documentation

- DICOM 3.0
- CD/DVD
- Thermal Printer
- USB Port
- Ethernet port
- Air kerma
- Laser guide

## SOFTWARE



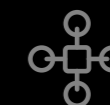
### Versatile Diagnostic Tools

- Zoom, contrast, reverse, invert
- Filtering, edge enhancement
- Annotation



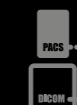
### Unlimited Image Memory

- 1TByte Image memory



### Database Management

- More convenient search & save capabilities
- Manage patient information
- Before & after surgery comparison
- Supports multi-selection of frames/s



### OPTIONAL PACS Connectivity With DICOM 3.0

- Store and print, modality worklist management
- MPPS, storage commitment, and Import & export



## DYNAMIC FLAT PANEL

### 3 Options available:

- Technology: Amorphous Silicon (CsI:Ti).
- Pixel Area: 209x209mm, 207x207mm, 210x210mm.
- Pixel Matrix: 1024x1024, 1344x1344.
- Pixel Pitch: 205 μm, 154 μm.
- Limiting resolution: 2.43 lp/mm, 2.5 lp/mm.

### Image Acquisition Mode:

- 60fps (2x2 binned continuous Xray)
- 30fps (2x2 binned, pulsed fluoro)
- 30fps (2x2 full image)
- 30fps (2x2 binning, pulsed and continuous fluoroscopic mode)
- 30fps (full resolution, continuous Xray)
- 30fps (1x1 non binning, continuous fluoroscopic mode)
- 25fps (1x1 non binning, pulsed fluoroscopic mode)
- 25fps (1x1 full image)
- 15fps (full resolution, pulsed fluoro)



Siège: 27, Old Gloucester Street, LONDON, WC1N 3AX, (UK) - Tél. +44 20 3398 1339  
Bureaux: 15 rue de la Garenne 27950 Saint-Marcel (France) Tél. +33 1 87 66 35 60

Turnkey Supplier

<https://ibsgroupe.com> – Email: [dircom@ibsgroupe.com](mailto:dircom@ibsgroupe.com)