



**OPERATING AND CONTROL TABLE**

User interface with TOUCH SCREEN DISPLAY, which includes an alpha numerical keypad to enter the types of examination to put into the memory and the keypad for entering the patient data to be printed in case of a D.A.P. room. The dose is displayed directly on the touch screen.

**BREAKING SYSTEM**

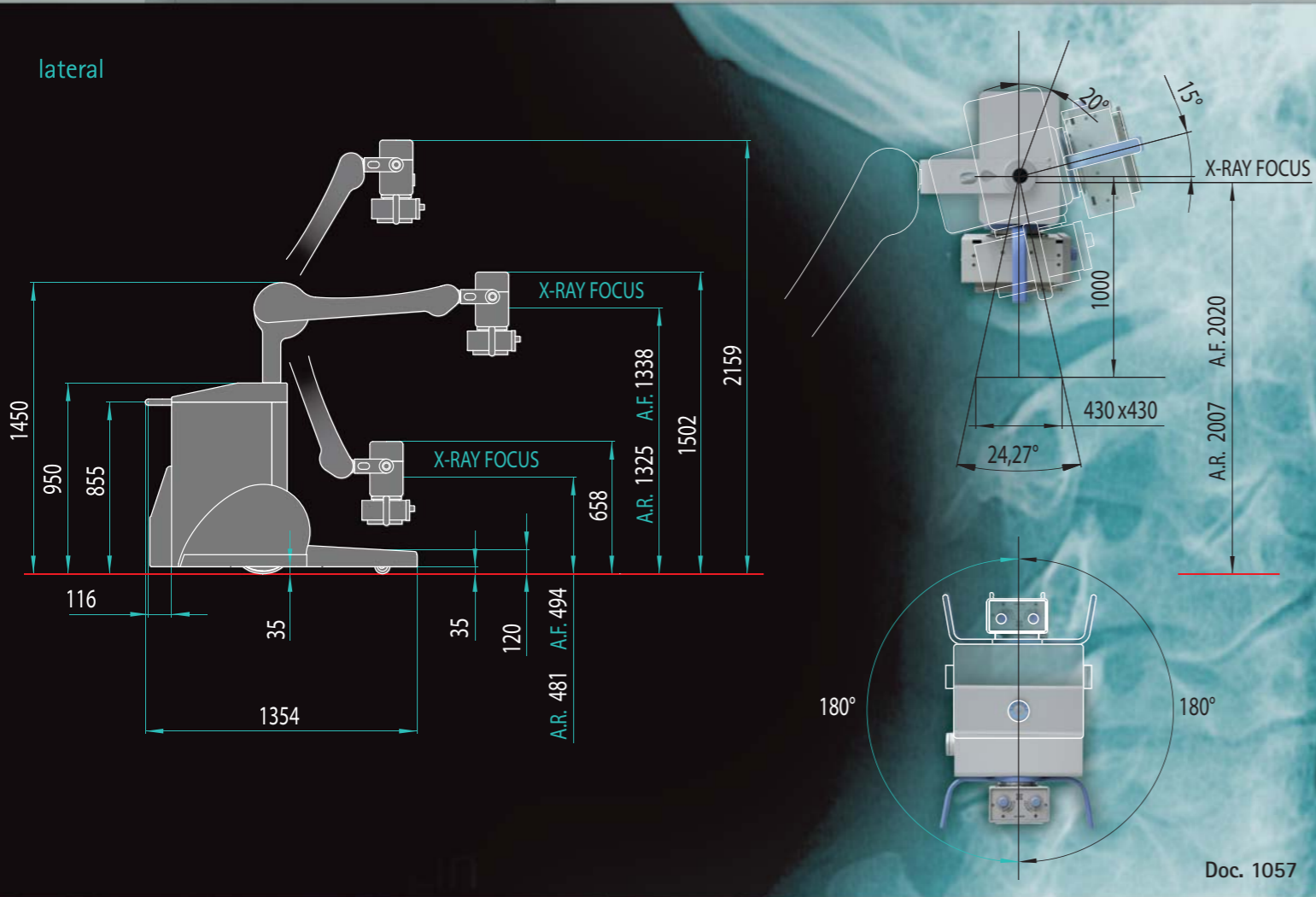
A comfortable handle facilitates the push of the unit and its positioning. The breaking system is a DEAD-MAN type and blocks the unit in any position, just releasing the handle.



X RAY SYSTEM  
**corsixR**



lateral



Doc. 1057

An innovative design which stands out from all traditional schemes, along with advanced technology at service of the user, to be carry out many different types of examinations in the emergency department or on the wards.



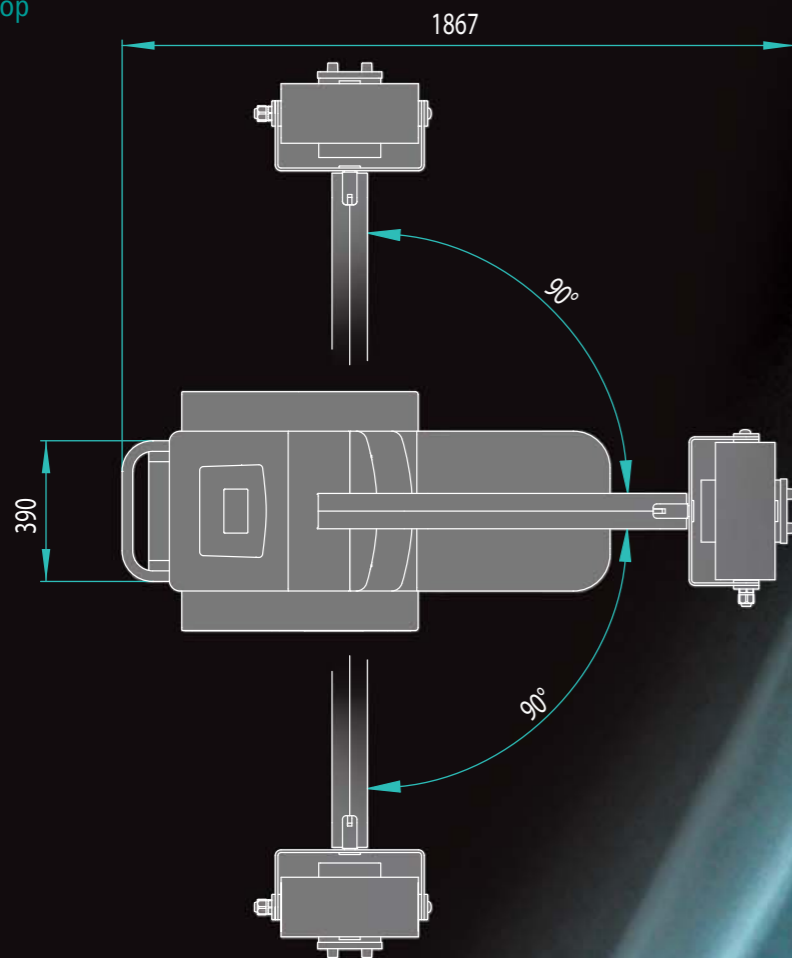
**OPERATING METHODS**

THREE-POINTS RADIOLOGICAL technique with selection kV/mA/mS, or two-points radiological technique with selection of kV/mAs. The values and the exposure time are always selected and displayed, automatically by the microprocessor, on the touch screen display before each exposure.

**AUTOMATIC CLOSEDOWN**

The unit is fitted with an automatic closedown system after 30 minutes of not being used. This features prevent the unit from remaining on by mistake for long periods thereby avoiding jeopardising the x-ray tube operation (focuses always on).

top



front

